

CoreSync PoE Multi-Mount Sensor C

molex

The CoreSync PoE Multi-Mount Sensor C enables fully network-connected sensing in a powered PoE fixture or mounted in a ceiling aperture. The Sensor C also features two-way communication with control software, providing useful data for lighting automation and building management.

Featuring digital PIR for accurate occupancy detection, plus ambient light sensing for daylight harvesting applications, CoreSync Sensor C also provides accurate reporting on temperature and humidity levels. The slim, compact unit is easy to mount in a fixture knock-out or through a suitable ceiling aperture. Sensor C is rated for ceilings up to 39', providing valuable data on key conditions and states within a building.



Features and Advantages

PoE-network enabled	Uses Molex CoreSync POE infrastructure for communication and control
Digital PIR equipped	Provides highly accurate occupancy sensing
Ambient light sensing	Enables daylight harvesting and interaction with other room systems
Temperature and humidity sensing	Optimizes HVAC efficiency and occupant comfort and productivity
In-fixture mounting	Increases accuracy of local sensing and reporting
Individualized sensing	Optimizes energy savings; granular occupancy status

Specifications

Motion Sensing	Digital Passive IR
Detection Distance	12 m (39.3696 ft)
Detection Range (Horizontal x Vertical)	102°x 92°
Detection Zone	92 Zones
Ambient Light Sensing	0-94.8 FC (0-1020 Lux) Photo IC
Operating Temperature	Type
Power Source	60°C (140°F) max
Standby Power	PoE
Enclosure	< 1W
	ABS Plastic

Certifications

IEC 62386-101:2014
IEC 62386-103:2014

Connection

Molex CoreSync Bus Harness,
Micro-Fit type, 4-pin
(see ordering information)

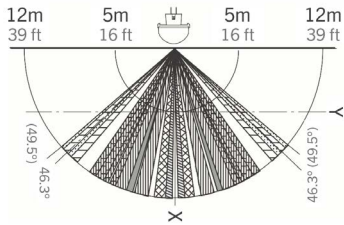


CoreSync PoE Multi-Mount Sensor C

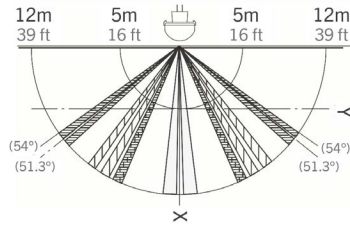


Detection Performance

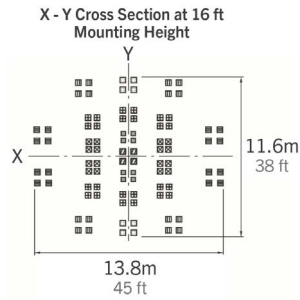
Side View 1



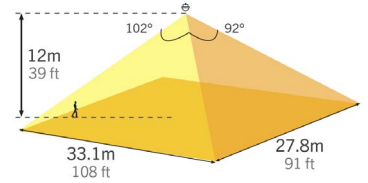
Side View 2



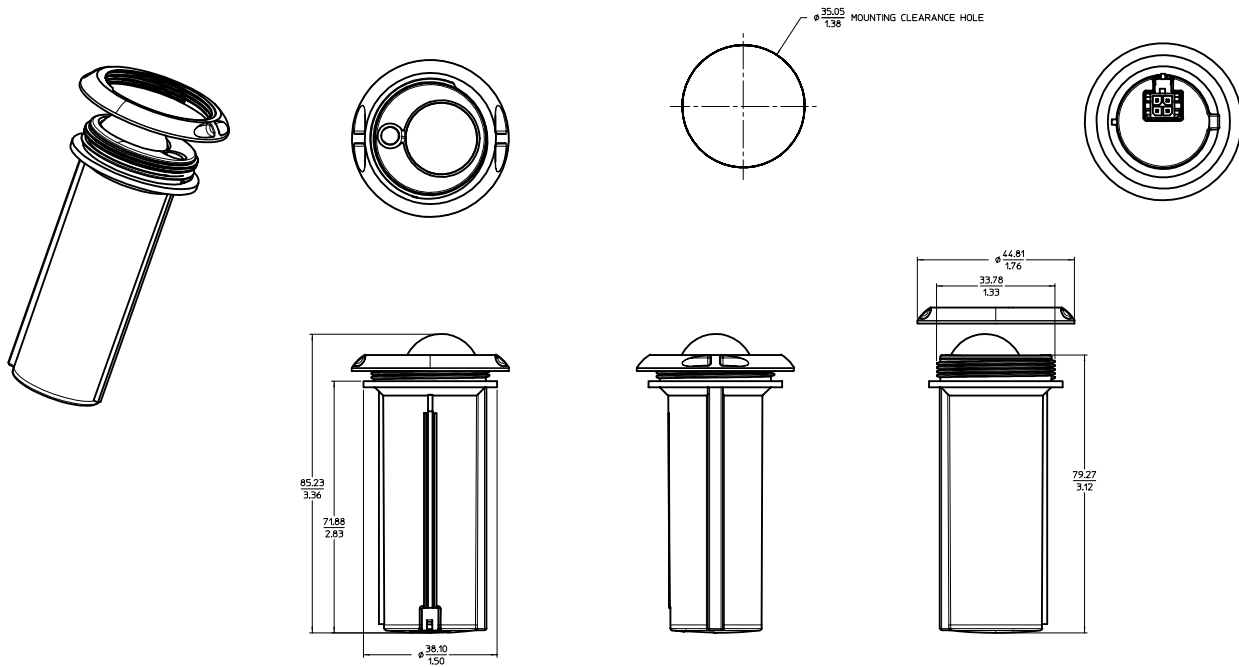
Top View



Long Distance Detection Type



Dimensions



Ordering Number

Order No.	Description
182090-1000	PoE Multi-Mount Sensor C
180777-xxxx	Molex CoreSync Bus Harness, shrink tube wire cover; lengths per Data Sheet 987651-5943
180778-xxxx	Molex CoreSync Bus Harness, overmolded wire/connector cover; lengths per Data Sheet 987651-5943

www.CoreSync.molex.com

Molex is a registered trademark of Molex, LLC in the United States of America and may be registered in other countries; all other trademarks listed herein belong to their respective owners.