

CoreSync 2x2 LED Troffer Series

molex

The CoreSync 2x2 LED PoE Troffer Luminaire utilizes the latest technologies in LED lighting, networking and control software to create a highly efficient, cost-effective and aesthetically powerful experience.

The CoreSync 2x2 LED PoE Troffer is a rugged yet elegant luminaire designed to reduce installation costs, help achieve energy-saving objectives and provide a pleasant lighting experience for end users. Together with the latest LEDs, industry-standard network switches and CoreSync control software managing PoE Gateways, LED Smart Drivers and an array of sensor options, the CoreSync 2x2 LED Troffer Luminaire delivers an easy-to-apply lighting solution for new construction or retrofit applications.



Features and Advantages

PoE-powered and controlled	Utilizing standards-based low voltage PoE infrastructure for power and communication
Removable Smart Lighting Element with onboard LEDs, sensors	Easy to remove for future upgrades
Color tunable	Creates unique scenes and biorhythmic lighting sequences, with CoreSync Manager Control software
Integrated sensors: ambient light, occupancy, color temperature and power metering; optional air quality	Provide granular lighting and other building automation control data
Indicator RGBW LEDs	Integrated auxiliary notification system for live alerts, indications, directions, occupancy status, emergencies, etc.
High quality diffuser with large luminous area	Superior and uniform light distribution, choice of perforation type
Robust and reliable construction	Ensures long life and safe operation
Special lighting-grade paint finish	Highly reflective, durable and attractive
Class 2 rated electronic device	Safe, easy access and long life
Removable protective topside cover (optional)	Easy cleaning of upward-facing LED areas
Innovative seismic clip design in 2 orientations	Provides effective and easy-to-apply seismic safety

Power over Ethernet (PoE) Ready

The CoreSync 2x2 LED Troffer Series Luminaire is PoE-ready thanks to the built-in CoreSync PoE Gateway and Smart Driver



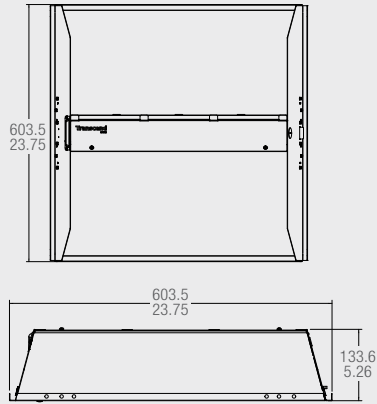
CoreSync 2x2 LED Troffer Series



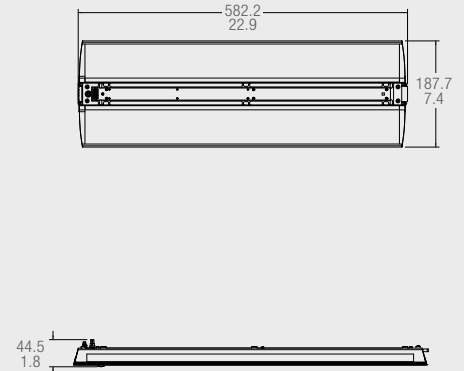
Specifications

Color Temp	Tunable 2700K to 5700K
Max Lumens	4000 lm
CRI	80+
Efficacy	Up to 84 LPW
Voltage	PoE/PoE+/UPOE: 42-57VDC
Max Input (W)	52 W
Dimensions	23-7/8"Lx23-7/8"Wx2-15/16"H
Weight	7.26 kg, combined
Operating Temp	0° to +40°C
Fixture Color	White
Compliance	UL 2108, CSA C22.2 #250.0, FCC
Est. LED Life	50,000 Hours
Installation	Indoor, NEMA 2 Grid Ceiling
For Use With	CoreSync Control System

Troffer



Smart Lighting Element



Specifications

PHOTOMETRY

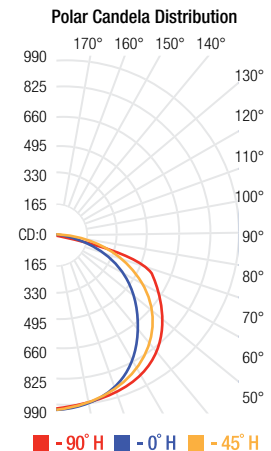
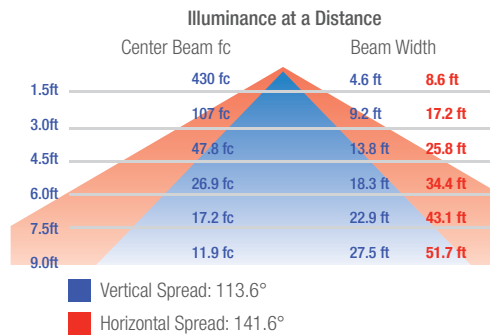
82 LPW

Catalog No.	182056
Nom Lumen	3300 lm
Input Watts	40 W

Lumens Per Zone					
Zone	Lumens	% Total	Zone	Lumens	% Total
0-10	91.9	2.8%	90 - 100	0.2	0%
10-20	267.3	8.2%	100 - 110	0.0	0%
20-30	417.3	12.8%	110 - 120	0.0	0%
30-40	524.3	16.1%	120 - 130	0.0	0%
40-50	572.4	17.6%	130 - 140	0.0	0%
50-60	557.3	17.1%	140 - 150	0.0	0%
60-70	484.3	14.9%	150 - 160	0.0	0%
70-80	288.5	8.9%	160 - 170	0.0	0%
80-90	51.4	1.6%	170 - 180	0.0	0%

Zonal Lumen Summary		
Zone	Lumens	% Luminaire
0 - 30	776.4	23.9%
0 - 40	1,300.7	40%
0 - 60	2,430.4	74.7%
60 - 90	824.3	25.3%
70 - 100	340.2	10.5%
90 - 120	0.2	0%
0 - 90	3,254.6	100%
90 - 180	0.2	0%
0 - 180	3,254.9	100%

PHOTOMETRY



CoreSync 2x2 LED Troffer Series

molex

More about the CoreSync 2x2 LED Troffer Luminaire Series

Fully Dimmable and Color Tunable

The CoreSync 2x2 LED Troffer Series Luminaire features Zero to 10 dimming, along with a full range of color tuning



Built-In Sensors and Indicator LEDs

The Smart Lighting Element features RGBW indicator LEDs, programmable for a wide range of uses and colors



Removable Smart Lighting Element

The CoreSync Smart Lighting Element is designed for easy removal, for upgrades or replacement

Choice of round or slotted perforation of the diffuser



CoreSync 2x2 LED Troffer Series



Ordering Information

Description	Order Number	Max Lumen Output	Color Temperature (CCT)	Power Source	Features
Smart Lighting Element	182056-1176	4000 lm @ 51 W (Measured at 3500K)	Tunable 2700K thru 5700K	CoreSync Bus from Troffer PoE Gateway	Individual power measurement; Occupancy, ambient light and color temp sensors; RGBW beacon LEDs; available air quality sensor; round or slotted perforations in diffuser
2x2 LED Troffer Fixture Base	182056-0000	N/A		UPOE/PoE+ 50 W max. at 48 VDC	Integrated CoreSync PoE Gateway; heavy-gauge metal base material; highly-reflective, durable white finish

Accessories

Acrylic Top Cover	180936-2000	Protective cover for upward-facing LEDs
Mounting Clip	182057-0001	General Clip to mount to grid
Seismic Clip L-Shape	182058-0001	90° Seismic Clip to mount to grid
Seismic Clip Straight	182059-0001	Straight Seismic Clip to mount to grid

Product Application



CoreSync 2x2 LED Troffer Luminaire in full PoE network installation