

# CoreSync

## Advanced Sensor

READ AND FOLLOW ALL SAFETY INSTRUCTIONS

**DEVICES MUST BE INSTALLED BY A QUALIFIED INSTALLER. (CHECK WITH LOCAL AND NATIONAL CODES FOR PROPER INSTALLATION).**

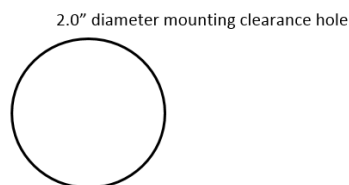
1. **CAUTION** - Observe precautions for handling electrostatic sensitive devices.
2. **WARRANTY** – Voided if fixture has been modified from its original configuration or in the event of hot plug/hot swap.
3. **WARNING** – Risk of Electric Shock. Do not handle energized module with wet hands or when standing on wet or damp surfaces.
4. Use only with Class 2 Power Unit – 60VDC Max.
5. Do not use outdoors.
6. Maximum operating temperature 50°C ambient.
7. Conforms to UL916 Standard - Certified to CSA standard C22.2 NO. 250. For CSA, device is intended to be installed in a restricted access area.
8. Input: PoE voltage range of 42-57V.

# CoreSync

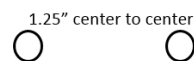
## Advanced Sensor

READ AND FOLLOW ALL SAFETY INSTRUCTIONS

10. Mounting options for all flush mount and screw option sensors below:



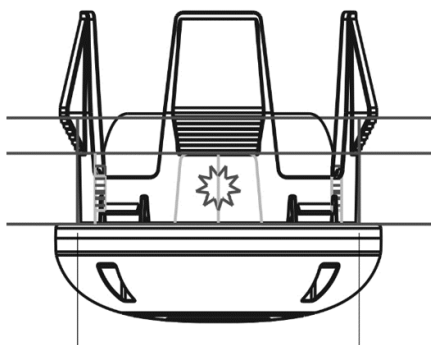
Mounting hole size for flush mount option



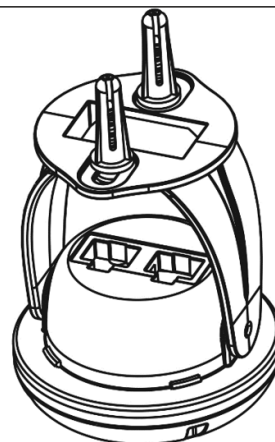
Mounting screw location for bracket mount option

11. **For mounting options:**

- a. surface mount option, connect the sensor to the mounting hardware before placing in the ceiling.
- b. bracket mount option, screw the bracket (screws and anchors) into the surface first before connecting the sensor to the mounting hardware.



Mounting the sensor with the flush mount hardware



Mounting the sensor with the bracket mount hardware

# CoreSync

## Advanced Sensor

READ AND FOLLOW ALL SAFETY INSTRUCTIONS

12. Snap in the wire harness 4ckt male connector into the 4ckt female connector as shown below. The connector from the Gateway side must plug into the INPUT connector:

**\*\*Warning\*\*** Input and output connections are not interchangeable. While no damage will occur if the connections are switched, the device(s) will not function

13. The other end of the wire harness goes into a Gateway, if it is a 5x2 connector (Molex part number 180887-04XX or 180888-04XX). If it is a 2x2 connection (Molex part number 180777-04XX or 180778-04XX), then it can connect to a driver or another sensor's "Output". Gateway, driver, and other sensors are supplied separately. For more information on the wire harnesses, see data sheet 87651-5943

**\*\*Warning\*\*** Do not hot plug the device. Make sure the gateway is disconnected and powered off from the PoE power before connecting a sensor to the CoreSync bus.